

NERGECO C ARCTIC 5



TECHNICAL DATA

MAXIMUM SIZE

3.000 mm W x 4.000 mm H

SPEED (standard door, depending on curtain dimensions)

Opening: up to 0.8 m/s
Closing: up to 0.8 m/s

CURTAIN

670 g/m² PVC
Stiffeners every 750 mm

STRUCTURE

Patented multi-composite structure (vertical side guides with low-diffusion and self-regulated heating, fixing junction brackets, rolling rod)

ENGINE

Three-phase engine 1,1 kW with heated brake and deep-freeze grade lubrication
Protected under a PUR RIM cover, access from the side

CONTROL BOX

Crouzet PLC control panel
Distance panel up to 2 m, optionally longer
IP66 control box Polyester 500 x 400 mm
Optional box 500 x 400 in steel IP66 or stainless steel IP67

SAFETY

1 set transversal photocells, MOFT/MOFR IP67 at 280 mmH
Free, multiflexible and compressible Soft Bottom Edge

POWERLESS OPENING

Ratchet
Optional: Inverter + UPS

ACTIVATORS

push buttons (option wireless) - pull cords (option wireless or on bracket) -
radar - radio transmitter/receiver - induction loop - detection photocells

POWER

400V three-phase - 50 Hz - differential circuit breaker 300 mA
Optional: 230V three-phase - 50Hz / 230V single-phase - 50 Hz (with frequency drive) /
440V three-phase / 60 HZ frequency

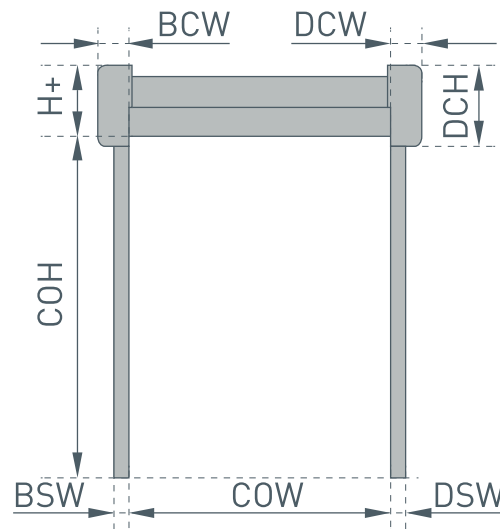
CURTAIN COLOURS (similar to - colour sample on demand)

Food-Grade Colour

WHITE RAL 9010

STRUCTURE COLOUR

light grey similar to RAL 9006



LAYOUT DIMENSIONS

COW - clear opening width	1.500 up to 3.000
COH - clear opening height	1.500 up to 4.000
DSW - drive side guide width	100
BSW - bearing side guide width	100
DCW - drive cover width	340
BCW - bearing cover width	260
DCH - drive cover height	680
H+ - head room above COH	500

Control box is always installed on positive temperature side, and as close as possible to the door.

© Entrematic Group AB - 2018

Entrematic offers a comprehensive range of products for industrial, commercial, institutional and residential applications, including sectional doors, loading dock equipment, high-performance doors, residential garage doors, pedestrian doors, gates and barriers, and automation and operators. Built on nearly 200 years of accumulated expertise, Entrematic aims to be the most dynamic, innovative company in the entrance automation industry, and the best partner for dealers and installers. Our well-known brands include Normstahl, Dynaco, Ditec, EM and Nergeco.

Entrematic, Amarr, Kelly, Serco, Normstahl, Dynaco, Ditec, EM and Nergeco, as words and logotypes, are examples of trademarks owned by Entrematic Group AB or companies within the Entrematic Group.

The Nergeco products are protected by worldwide registered patents. As part of its policy of continuous product development, Entrematic Group NV reserves the right to change the characteristics of its products or components without prior notice.

Disclaimers:

For a correct use of our products, please refer to our manual.

Everything that is mentioned in this brochure is only valid under the terms of use in the user manual and on condition that the door was properly installed and maintained and has not undergone abuse nor neglect.

NERGECO DEALER



ENTREMATIc BELGIUM NV
Waverstraat 21
B-9310 Moorsel-Aalst (Belgium)
Tel. +32 53 72 98 98
Fax. +32 53 72 98 50
info.nergeco.eu@entrematic.com
www.nergeco.com

