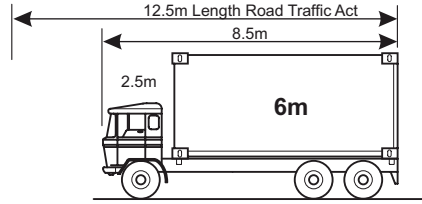


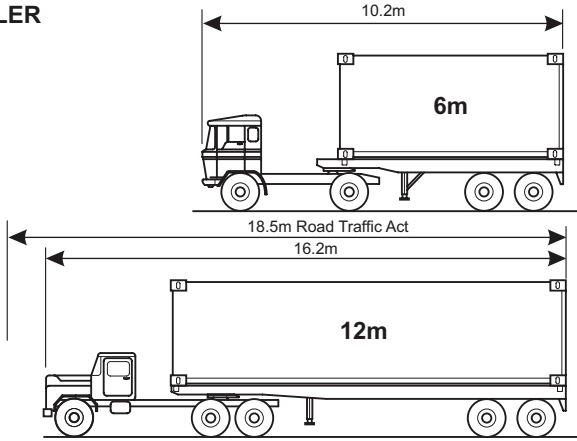
POSITIONING OF CONTAINERS ON VEHICLES i.e. Flush with Rear End

RIGID TRUCK

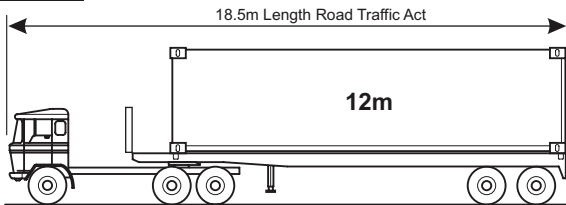


REMARKS

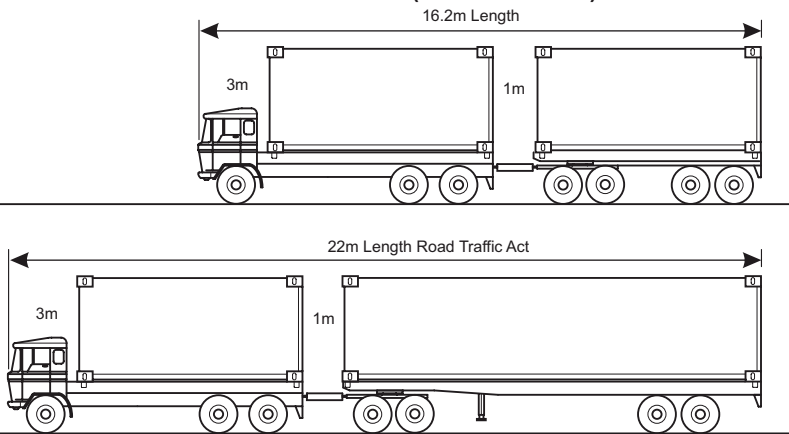
SKELETAL SEMI-TRAILER



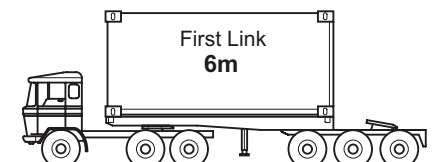
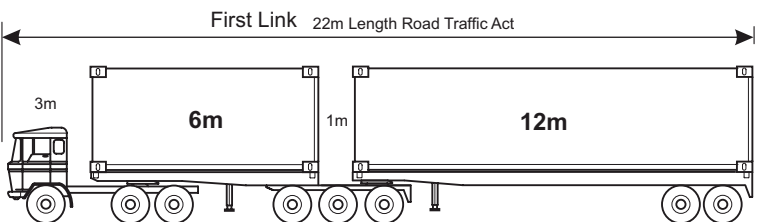
FLAT DECK / SEMI - TRAILER



RIGID TRUCK - TRAILER COMBINATION (DISTRIBUTION)



SUPER INTER LINK



DDL Equipment Pty Ltd

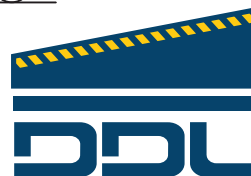
Reg No: 2005/043409/07

E-Mail: sales@ddl.co.za

Website: www.ddl.co.za

Tel: 011 393 1209

Fax: 011 393 1169



TIME TESTED DOCKING

6 Neutron Road, Chloorkop, Kempton Park

Ref: DE.30 HC - (CP)