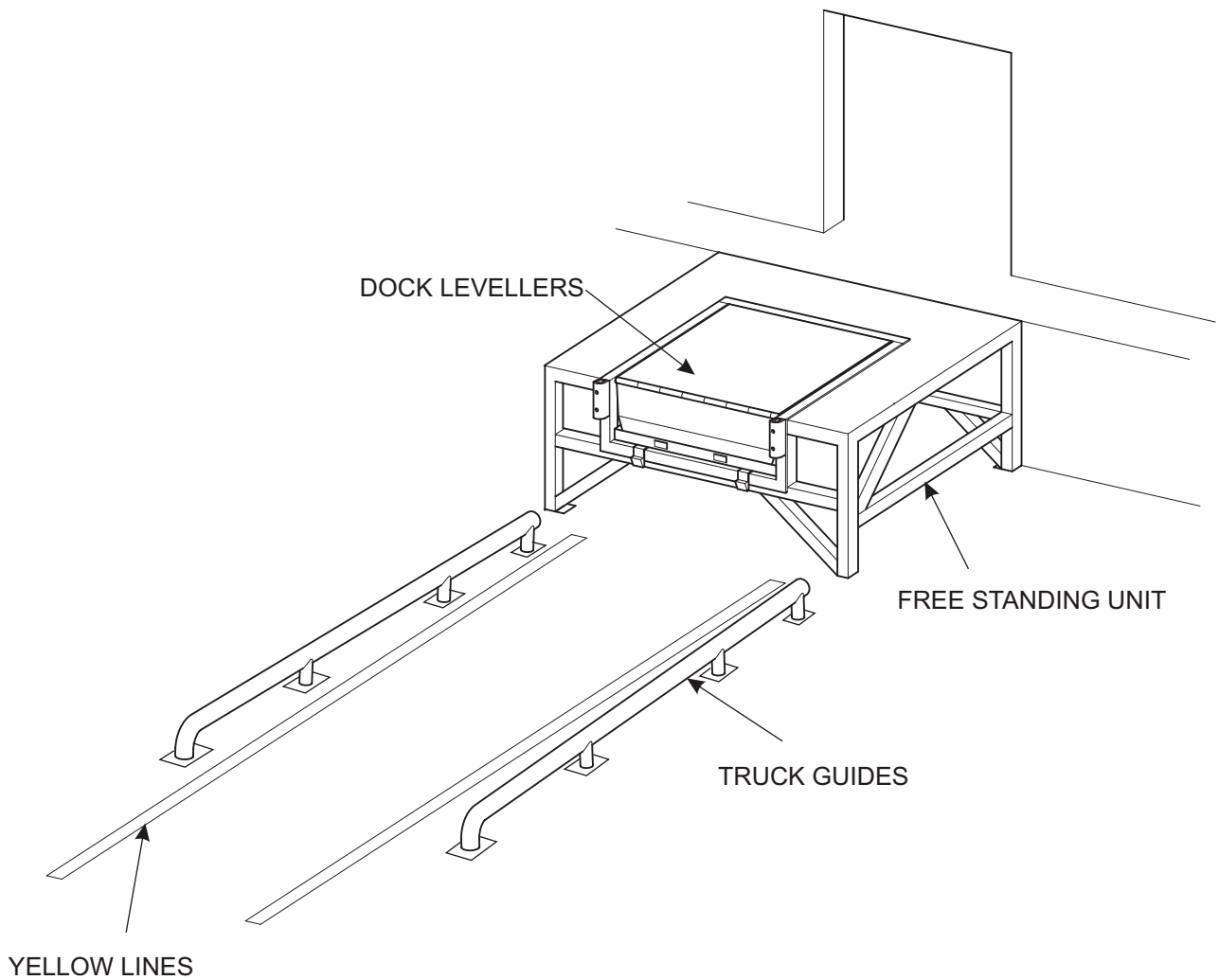


FREE STANDING UNIT

STEEL BASE



DDL Equipment Pty Ltd

Reg No: 2005/043409/07

E-Mail: sales@ddl.co.za

Website: www.ddl.co.za

Tel: 011 393 1209

Fax: 011 393 1169



6 Neutron Road, Chloorkop, Kempton Park