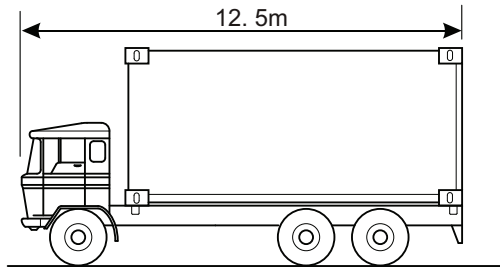


OVERALL LENGTH OF VEHICLE

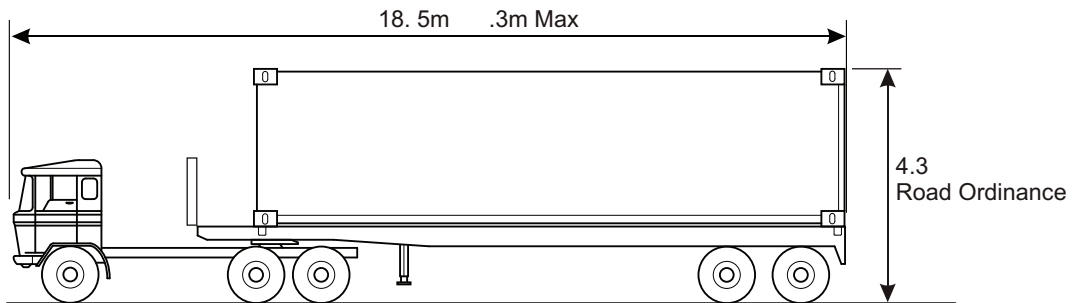
RIGID

Maximum Overall Length for any Vehicle Excluding a Semi-trailer



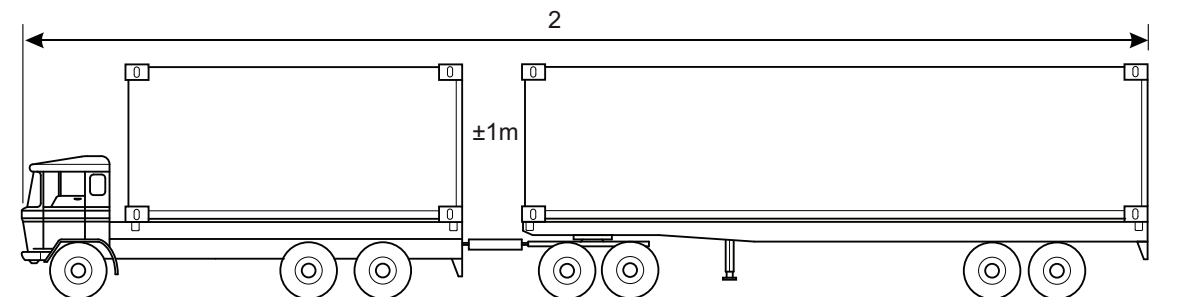
SEMI TRAILER

Maximum Overall Length of an Articulated Motor Vehicle



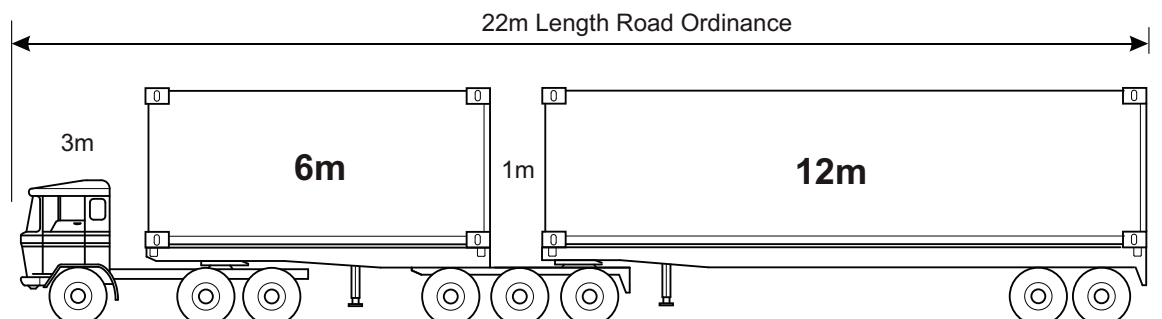
RIGID TRAILER COMBINATION

Maximum Overall Length of a Combination of Motor Vehicles Including Drawbar or Coupling



Note: This Length Includes Load Overhang. 2m

INTER LINK



DDL Equipment Pty Ltd

Reg No: 2005/043409/07

E-Mail: sales@ddl.co.za

Website: www.ddl.co.za

Tel: 011 393 1209

Fax: 011 393 1169



6 Neutron Road, Chloorkop, Kempton Park