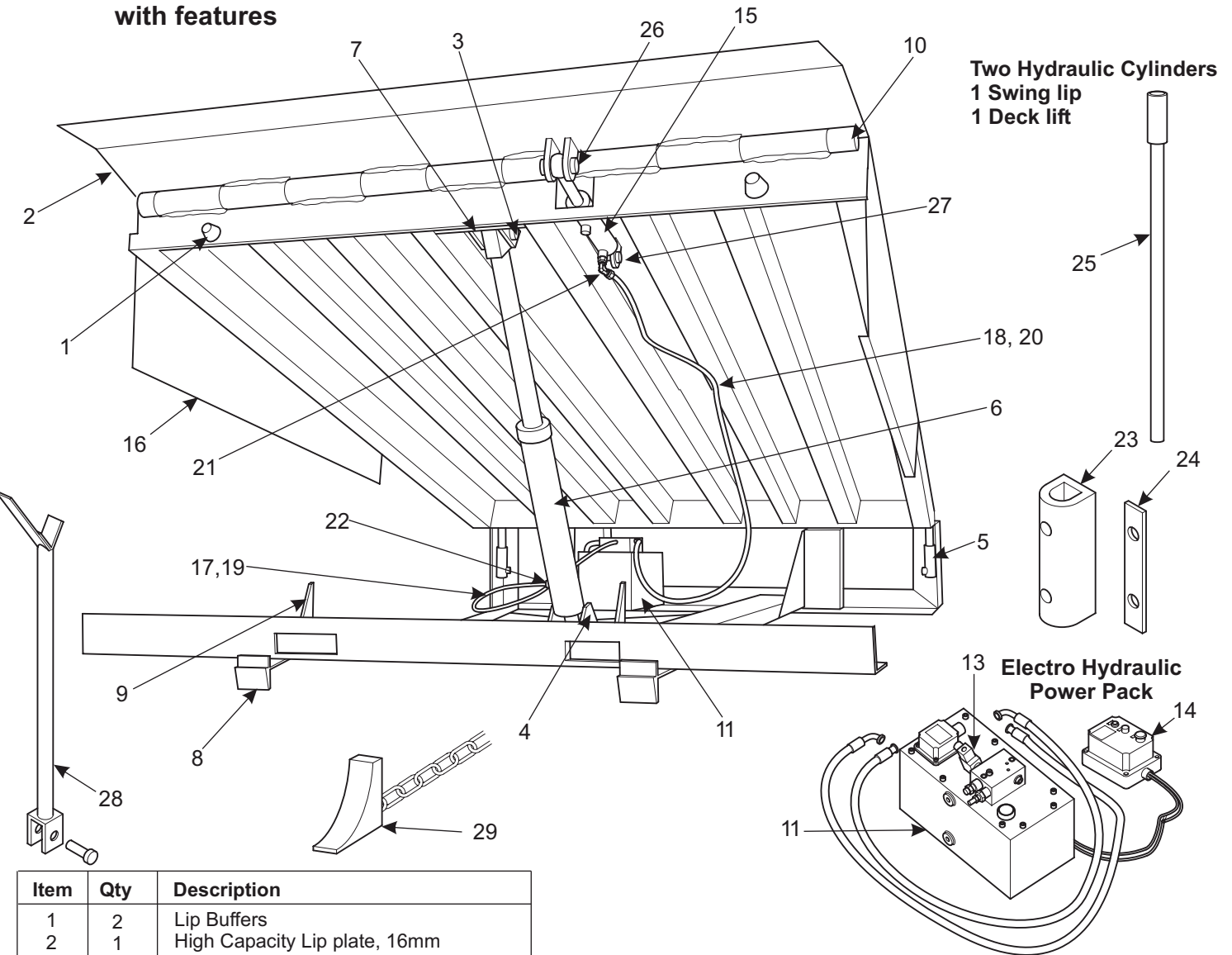


THE NEW GENERATION MARK II DOCK LEVELLER

PARTS LIST

“Simply” Loaded
with features



Two Hydraulic Cylinders
1 Swing lip
1 Deck lift

Electro Hydraulic
Power Pack

Manual Hydraulic
Power Pack
Single Pump

Manual Hydraulic
Power Pack
Double Pump

Item	Qty	Description
1	2	Lip Buffers
2	1	High Capacity Lip plate, 16mm
3	1	Pin, Top, Dia 24.8 x 110mm
4	1	Pin, Bottom, Dia 24.8 x 80mm
5	2	Tilting Bar
6	1	Hydraulic Lift Cylinder
7	1	Special Bush, Complete
8	2	Lip Safety Stop
9	2	Below Level Stop
10	1	Hinge Shaft
11	1	Electro-Hydraulic Power Pack
12	1	Hand Hydraulic Power Pack
13	1	Solenoid, 220 Volt
14	1	Up - Down Control Box
15	2	Hydraulic Lip Cylinder
16	1	Slide-up Safety Toe Guard
17	1	Hydraulic Hose Assembly (Deck) EHP
18	1	Hydraulic Hose Assembly (Lip) EHP
19	1	Hydraulic Hose Assembly (Deck) HHP
20	1	Hydraulic Hose Assembly (Lip) HHP
21	1	Adaptor, Lip Cylinder
22	1	Adaptor, Deck Cylinder
23	2	“D” Rubber Bumpers
24	2	Inner Mounting Plate
25	1	Pump Handle
26	1	Pin, Top, Dia 15.8 x 65mm
27	1	Pin, Bottom, Dia 15.8 x 60mm
28F	1	Safety Strut - Fixed
28R	1	Safety Strut - Remote Service Van
29	1	Wheel Chock
30	1	Trailer Safety Support Leg

DDL Equipment Pty Ltd

Reg No: 2005/043409/07

E-Mail: sales@ddl.co.za

Website: www.ddl.co.za

Tel: 011 393 1209

Fax: 011 393 1169

6 Neutron Road, Chloorkop, Kempton Park



Ref: DE.19