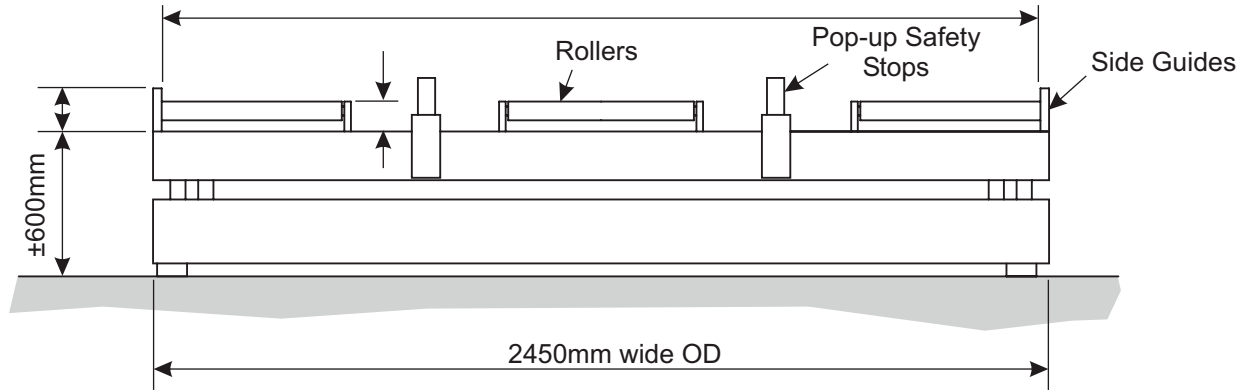
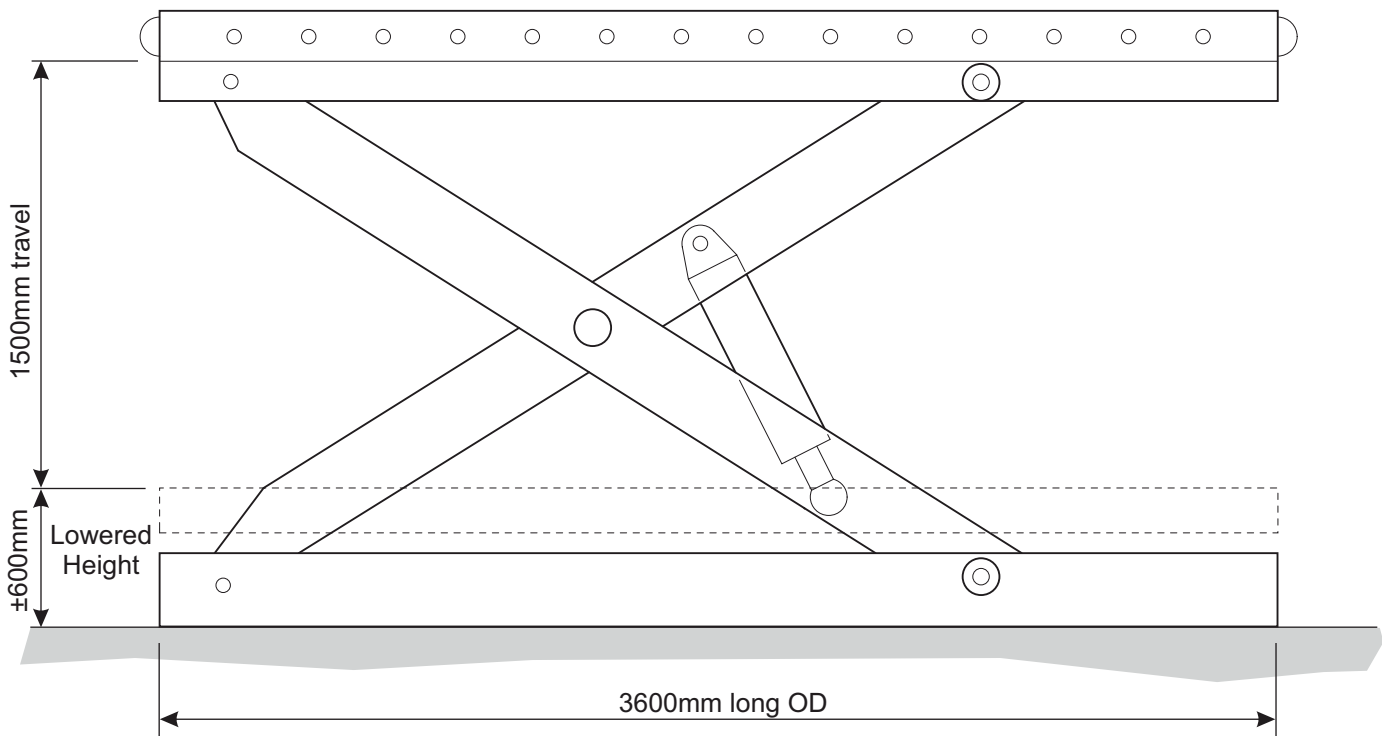


# AIRCRAFT PALLET HANDLE

## LIFT TABLE



FRONT VIEW



SIDE VIEW

**DDL Equipment Pty Ltd**

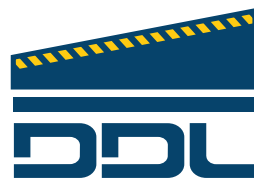
Reg No: 2005/043409/07

E-Mail: [sales@ddl.co.za](mailto:sales@ddl.co.za)

Website: [www.ddl.co.za](http://www.ddl.co.za)

Tel: 011 393 1209

Fax: 011 393 1169



TIME TESTED DOCKING

6 Neutron Road, Chloorkop, Kempton Park

Ref: AP.8-AIR