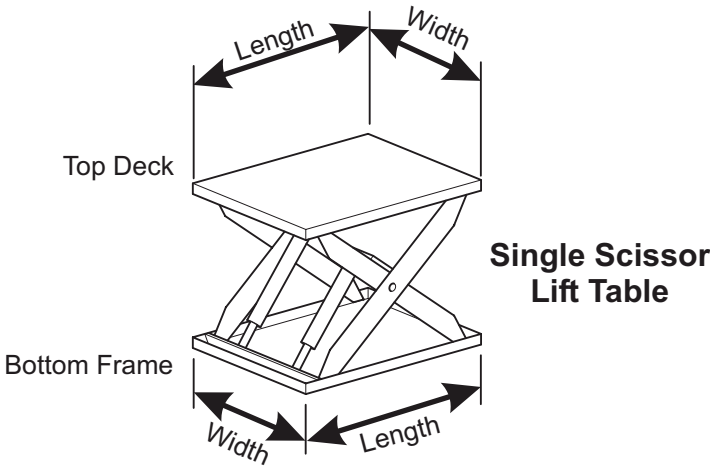
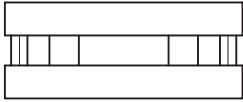


SCISSOR DECKS

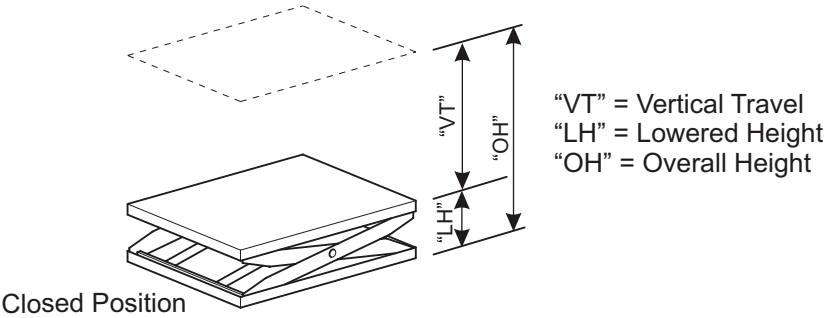
DECK DESIGN



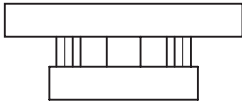
STYLE 1



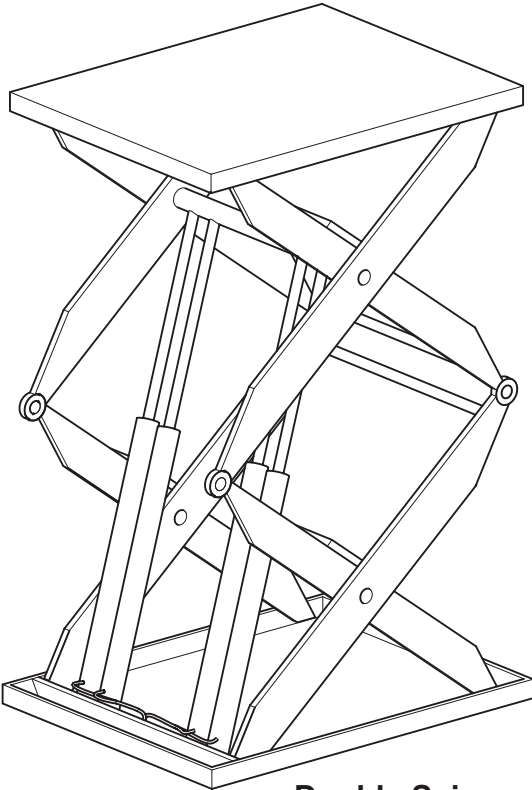
Flush Deck and Frame
IMPORTANT: Platform protection in lieu of toe clearance or tapered toe guard must be provided by user.



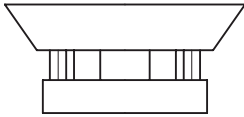
STYLE 2



Toe clearance
 Deck must be wider and longer than frame



STYLE 3



Tapered Toe Guard
 Unit with more lowered height, decks must be wider and longer than frame

DDL Equipment Pty Ltd

Reg No: 2005/043409/07
 E-Mail: sales@ddl.co.za
 Website: www.ddl.co.za
 Tel: 011 393 1209
 Fax: 011 393 1169



6 Neutron Road, Chloorkop, Kempton Park