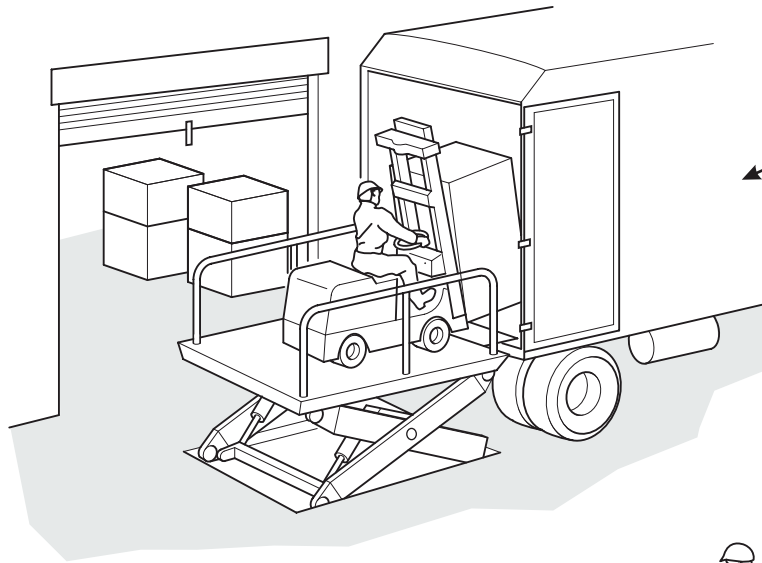


# ELEVATING DOCK APPLICATIONS

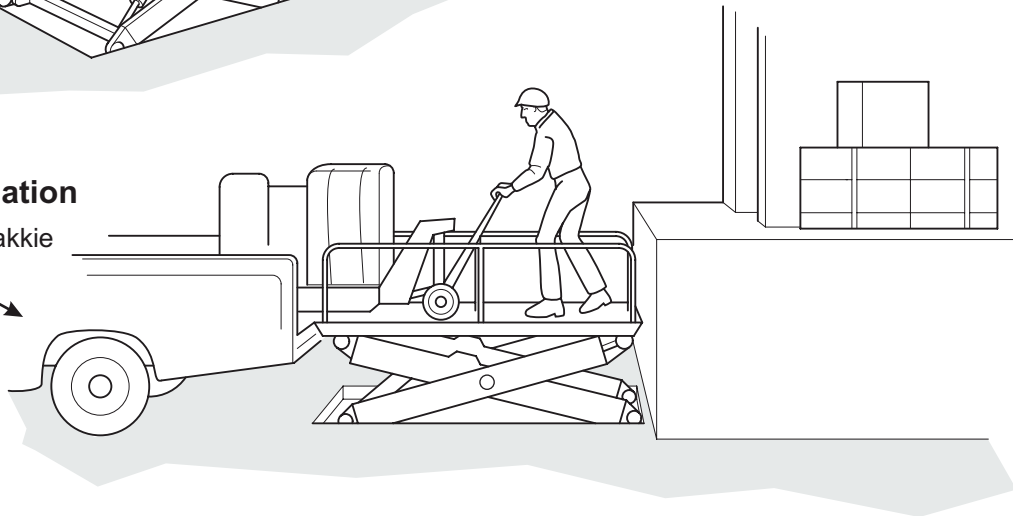


## Pit Installations

Truck to Floor

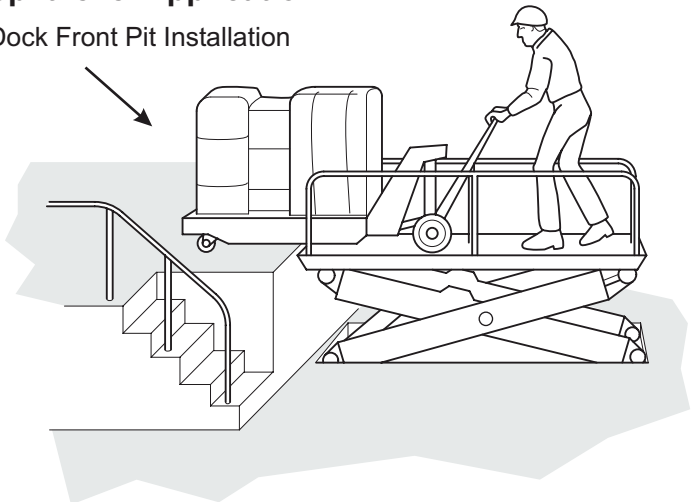
## Dock Front Pit Installation

Dock to Ground or Tuck/Bakkie



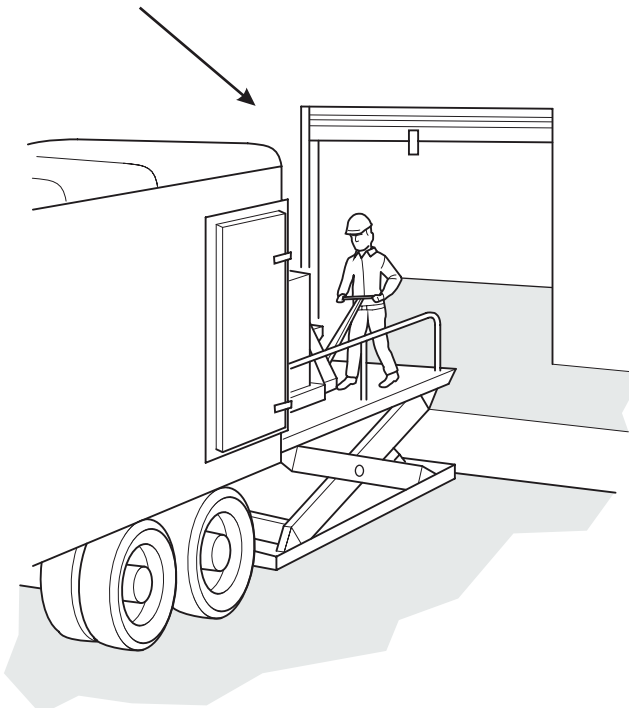
## Split level Application

Dock Front Pit Installation



## Dock up to Truck

On Ground Front Installation



## DDL Equipment Pty Ltd

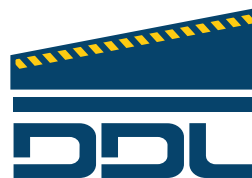
Reg No: 2005/043409/07

E-Mail: [sales@ddl.co.za](mailto:sales@ddl.co.za)

Website: [www.ddl.co.za](http://www.ddl.co.za)

Tel: 011 393 1209

Fax: 011 393 1169



TIME TESTED DOCKING

6 Neutron Road, Chloorkop, Kempton Park

Ref: AP.2-ED