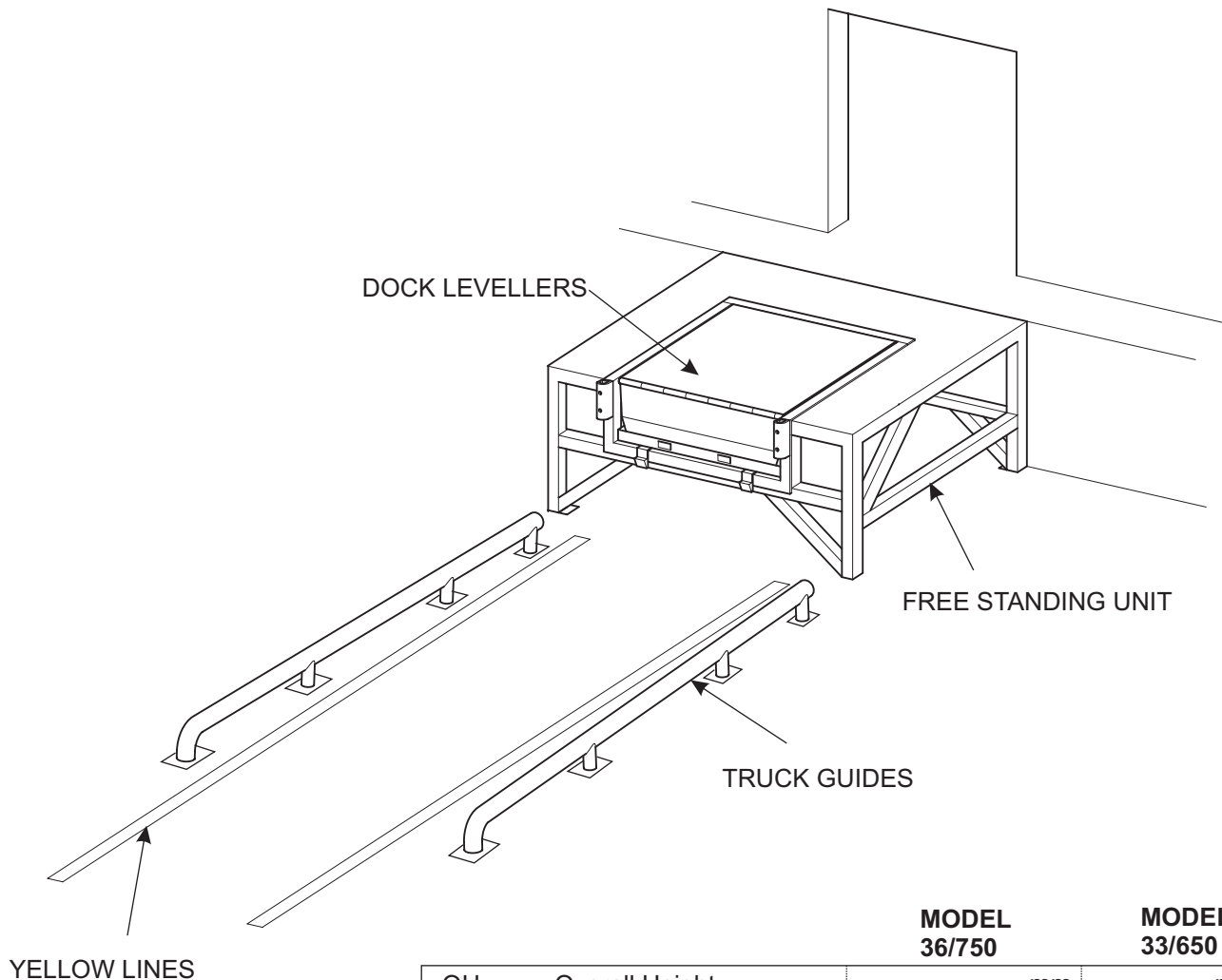


FREE STANDING UNIT

Steel Base



**MODEL
36/750**

**MODEL
33/650**

		MODEL 36/750	MODEL 33/650
OH	- Overall Height	mm	mm
OW	- Overall Width	mm	mm
IW	- Internal Width	mm	mm
OL	- Overall Length	mm	mm
OHL	- Over Hang Length	mm	mm
CD	- Curtain Drop	mm	mm
SCW	- Side Curtain Width	mm	mm
DH	- Dock Height	mm	mm
DLOW	- Daylight Opening Width	mm	mm
DLOH	- Daylight Opening Height	mm	mm



D.D.L. EQUIPMENT cc

P.O. Box 210, Strathavon, 2031

Tel : +27 11 443-4233

Fax : +27 11 882-4569

E-Mail : ddl@icon.co.za

Web Site: www.ddl.co.za

Cell : 083 653 3872

"The Bridge That Links The Total Materials Handling Systems Together"

Ref: DE.27