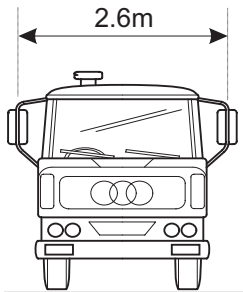


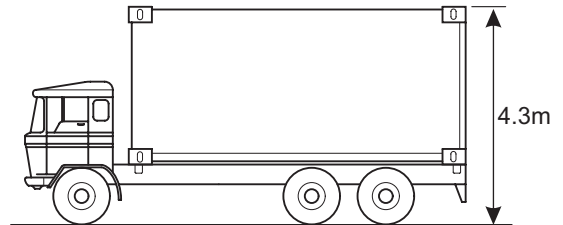
## LOADS AND DIMENSIONAL RESTRICTIONS

### OVERALL HEIGHT OF VEHICLE AND LOAD



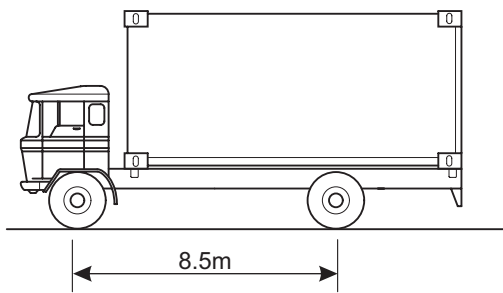
**NOTE:**  
All other goods vehicles with a GVM of less than 12000kg to have a max width of 2.5m

Maximum Overall Vehicle Height

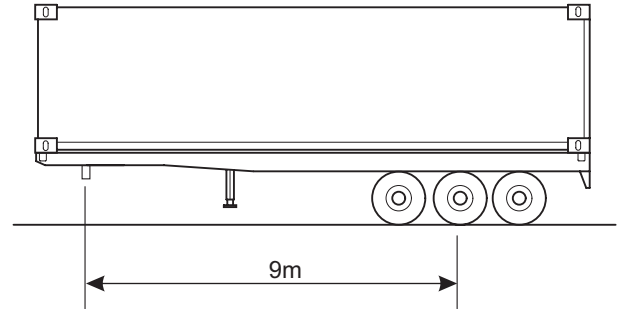


### WHEEL BASE

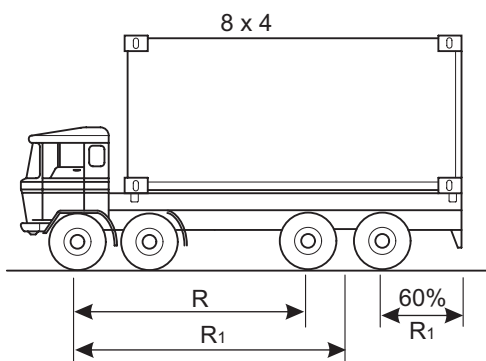
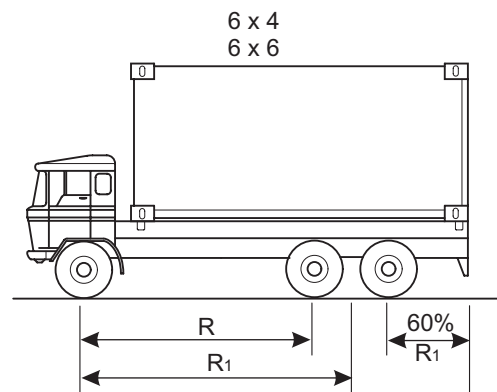
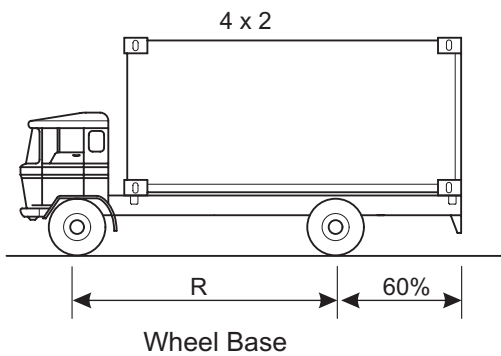
Wheel Base of Vehicle



Wheel Base of Semi-trailer



### Wheel Base Variations



**D.D.L. EQUIPMENT cc**  
P.O. Box 210, Strathavon, 2031  
Tel : +27 11 443-4233  
Fax : +27 11 882-4569  
E-Mail : [ddl@icon.co.za](mailto:ddl@icon.co.za)  
Web Site : [www.ddl.co.za](http://www.ddl.co.za)  
Cell : 083 653 3872

"The Bridge That Links The Total Materials Handling Systems Together"