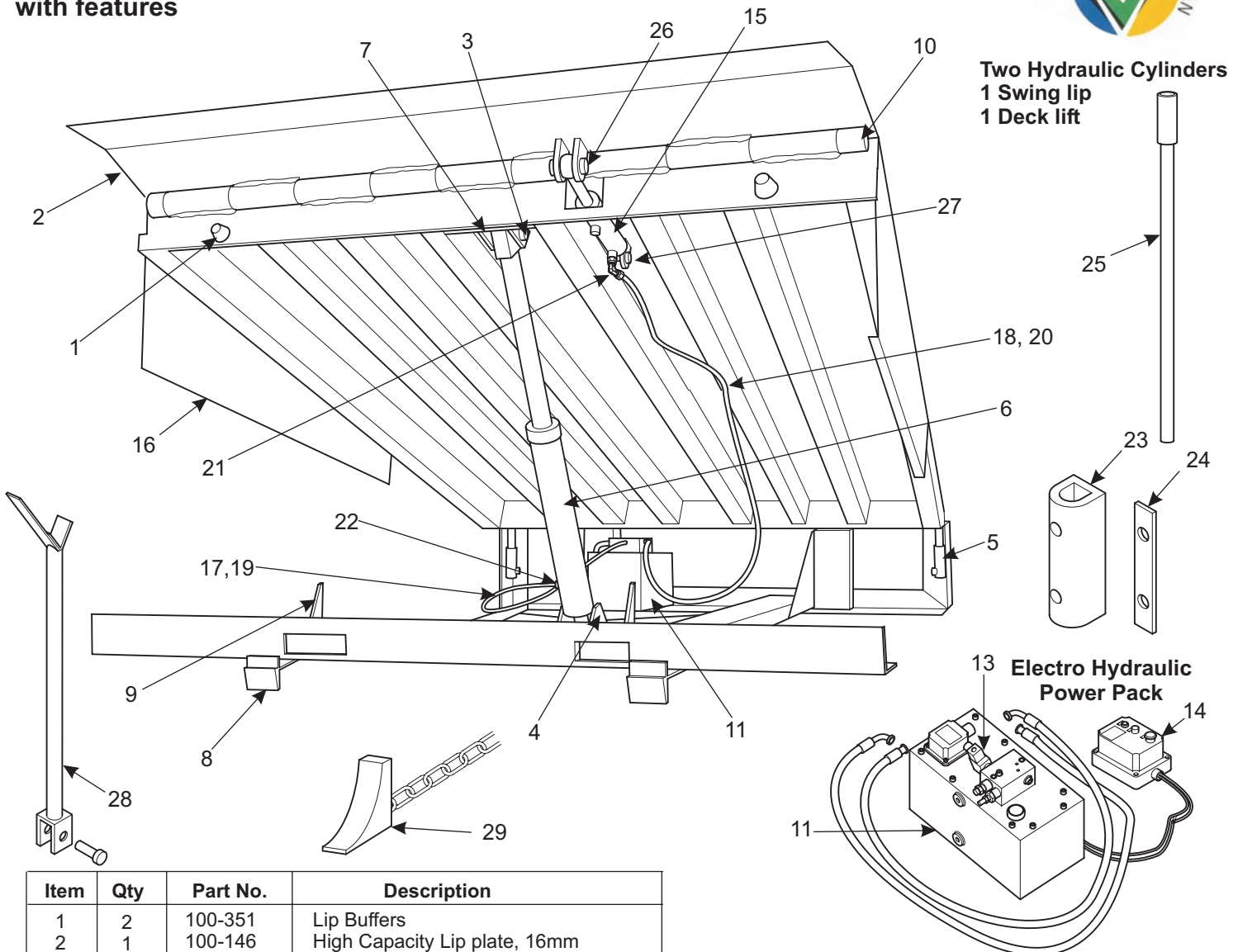


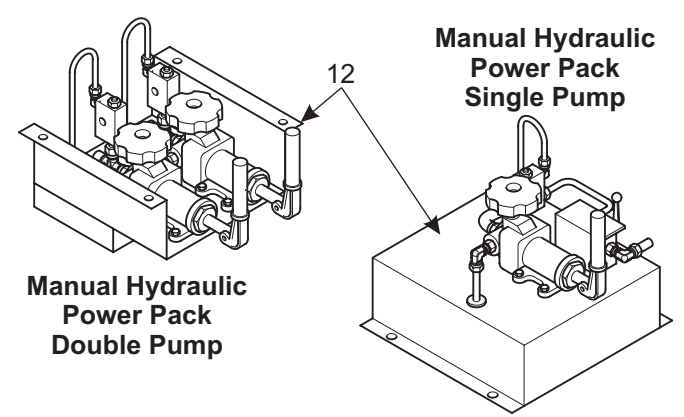
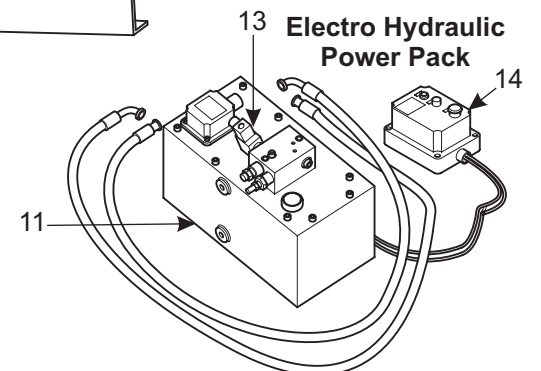
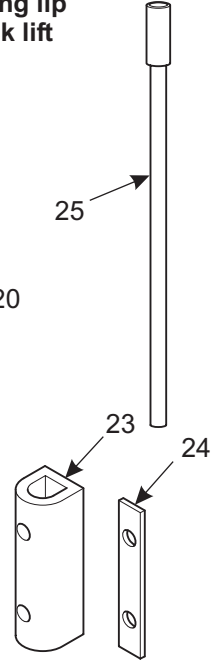
# THE NEW GENERATION MARK II DOCK LEVELLER

## PARTS LIST

“Simply” Loaded  
with features



Two Hydraulic Cylinders  
1 Swing lip  
1 Deck lift



Item	Qty	Part No.	Description
1	2	100-351	Lip Buffers
2	1	100-146	High Capacity Lip plate, 16mm
3	1	100-110	Pin, Top, Dia 24.8 x 110mm
4	1	100-080	Pin, Bottom, Dia 24.8 x 80mm
5	2	100-024	Tilting Bar
6	1	100-360	Hydraulic Lift Cylinder
7	1	100-240	Special Bush, Complete
8	2	100-501	Lip Safety Stop
9	2	100-149	Below Level Stop
10	1	100-453	Hinge Shaft
11	1	100-100	Electro-Hydraulic Power Pack
12	1	100-450	Hand Hydraulic Power Pack
13	1	100-195	Solenoid, 220 Volt
14	1	100-101	Up - Down Control Box
15	2	100-310	Hydraulic Lip Cylinder
16		100-372	Slide-up Safety Toe Guard
17	1	100-EHP1	Hydraulic Hose Assembly (Deck) EHP
18	1	100-EHP2	Hydraulic Hose Assembly (Lip) EHP
19	1	100-HHP5	Hydraulic Hose Assembly (Deck) HHP
20	1	100-HHR6	Hydraulic Hose Assembly (Lip) HHP
21	1	100-269	Adaptor, Lip Cylinder
22	1	100-830	Adaptor, Deck Cylinder
23	2	100-794	“D” Rubber Bumpers
24	2	100-356	Inner Mounting Plate
25	1	100-454	Pump Handle
26	1	100-265	Pin, Top, Dia 15,8 x 65mm
27	1	100-460	Pin, Bottom, Dia 15,8 x 60mm
28F	1	100-180F	Safety Strut - Fixed
28R	1	100-180R	Safety Strut - Remote Service Van
29	1	100-183	Wheel Chock
30	1	100-1260	Trailer Safety Support Leg



DOCK DESIGN & LAYOUT

**D.D.L. EQUIPMENT cc**  
 P.O. Box 210, Strathavon, 2031  
 Tel : +27 11 443-4233  
 Fax : +27 11 882-4569  
 E-Mail : ddl@icon.co.za  
 Web Site : www.ddl.co.za  
 Cell : 083 653 3872

“The Bridge That Links The Total Materials Handling Systems Together”

Ref: DE.19