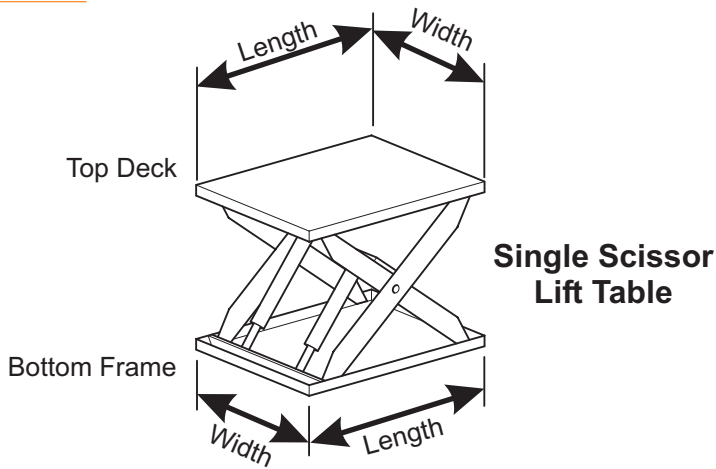
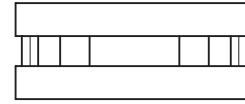


SCISSOR DECKS

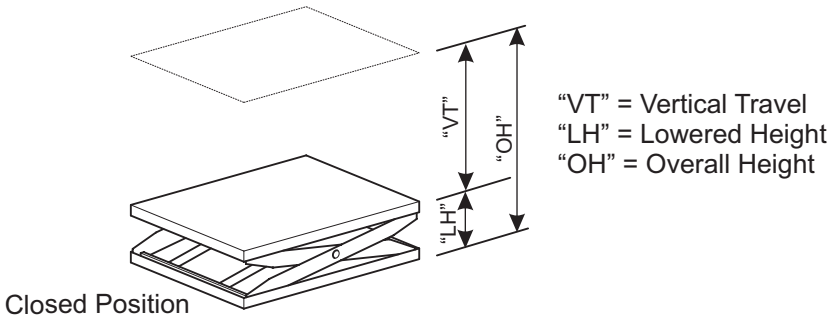
DECK DESIGN



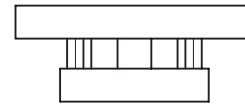
STYLE 1



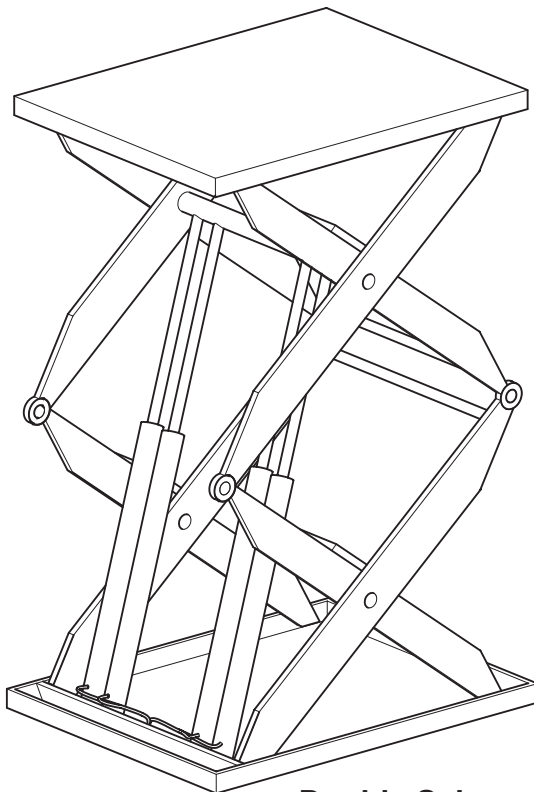
Flush Deck and Frame
IMPORTANT: Platform protection in lieu of toe clearance or tapered toe guard must be provided by user.



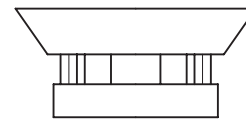
STYLE 2



Toe clearance
Deck must be wider and longer than frame



STYLE 3



Tapered Toe Guard
Unit with more lowered height, decks must be wider and longer than frame