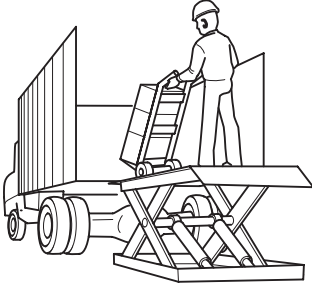
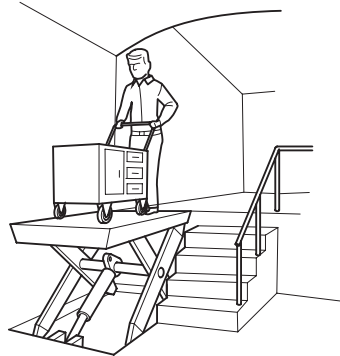


APPLICATIONS UNLIMITED

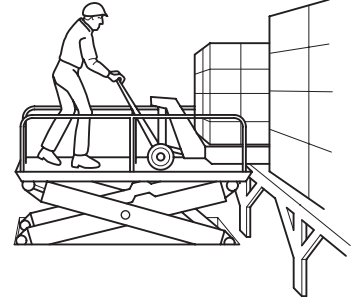
LIFT TABLE & ELEVATING DOCK



Truck Loading



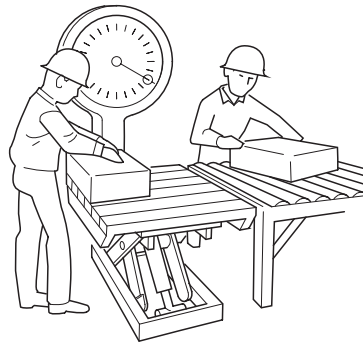
Split Level Floor Transfer



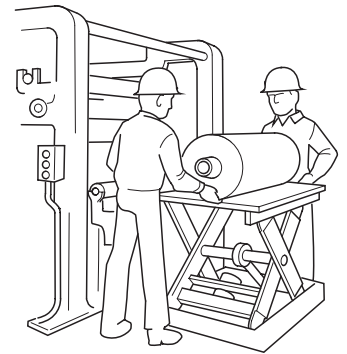
Loads to Mezzanines and Staging



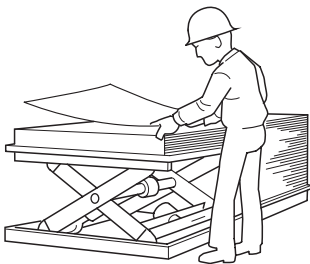
Feeding Stock to Machines



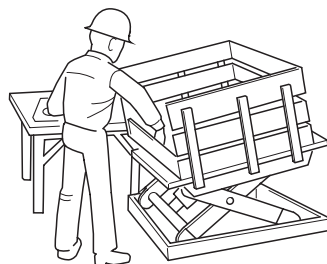
Load Skids and Weighing



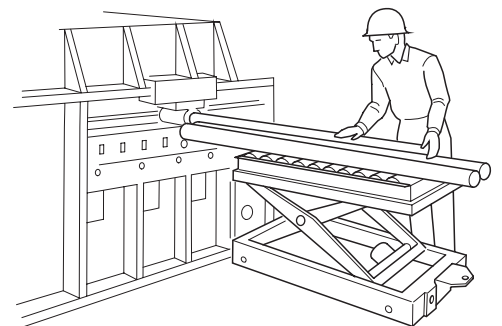
Positioning Large Rolls



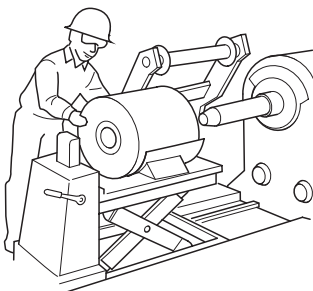
Counting and Inspection



Tilt Top Model Speeds Production



Roller Top Feeding for Cut-off Operations



Transferring Coils

